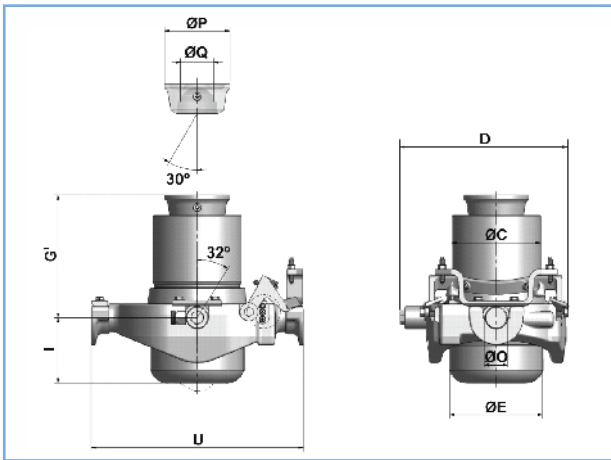


KRM cylinders & KR seal kits

Three-way under body tipping cylinder KR

The working pressure of the KRA/KRM cylinder is 280 Bar (300 max.) The cradle, knock-off and brackets are already mounted. KRM standard has a pneumatic knock-off, KRA standard has a hydraulic knock-off. The tipping weight is calculated at 275 bar.



- All cylinders Incl. 20 mm pull out with tolerances of -0/+15mm.

Cradle dimensions

Cradle	Type 2	Type 3	Type 4
U(mm)	369	472	538
D(mm)	359	370	455
O(mm)	50	50	60

Ball & cup dimensions

Ball & cup	Type 2	Type 3	Type 4
P(mm)	125	145	145
Q(mm)	60	75	80

KRM 145

Part no.	Description	Tipping weight (tons)	Kg.	Ltr.	I (mm)	G (mm)	C (mm)	E (mm)	Cradle/ball
R45417152	KRM 145-4-0825-152-G0302-HC	25	90	9,5	130	302	170	180	2/2
R45419152	KRM 145-4-0935-152-G0329-HC	25	93	10,7	130	329	170	180	2/2
R45627152	KRM 145-6-1405-152-G0327-HC	15	91	12,3	130	327	170	180	2/2
R45627643	KRM 145-6-1405-643-G0327-HC	15	85	12,3	130	327	170	180	2/2
R45633152	KRM 145-6-1585-152-G0357-HC	14	96	13,9	130	357	170	180	2/2
R45635152	KRM 145-6-1765-152-G0387-HC	14	100	15,4	130	387	170	180	2/2

KRM 167

Part no.	Description	Tipping weight (tons)	Kg.	Ltr.	I (mm)	G (mm)	C (mm)	E (mm)	Cradle/ball
R46626152	KRM 167-6-1420-152-G0313	22	129	17,2	145	313	196	207	3/2
R46627152	KRM 167-6-1420-152-G0313-HC	22	129	17,2	145	313	196	207	3/2
R46632152	KRM 167-6-1600-152-G0343	21	135	19,3	145	343	196	207	3/2
R46633152	KRM 167-6-1600-152-G0343-HC	21	135	19,3	145	343	196	207	3/2
R46633643	KRM 167-6-1600-643-G0343-HC	21	127	19,3	145	343	196	207	3/2
R46635122	KRM 167-6-1780-122-G0373-HC	19	142	21,4	145	373	196	207	3/2
R46635152	KRM 167-6-1780-152-G0373-HC	19	141	21,4	145	373	196	207	3/2
R46635643	KRM 167-6-1780-643-G0373-HC	19	133	21,4	145	373	196	207	3/2
R46639643	KRM 167-6-1960-643-G0403-HC	18	139	23,6	145	403	196	207	3/2
R46729152	KRM 167-7-1480-152-G0289-HC	19	124	16,0	145	289	196	207	3/2
R46731152	KRM 167-7-1550-152-G0299-HC	18	126	16,8	145	289	196	207	3/2
R46737152	KRM 167-7-1890-152-G0349-HC	17	135	20,4	145	349	196	207	3/2
R46737643	KRM 167-7-1900-643-G0349-HC	17	128	20,4	145	349	196	207	3/2

KRM 193

Part no.	Description	Tipping weight (tons)	Kg.	Ltr.	I (mm)	G (mm)	C (mm)	E (mm)	Cradle/ball
R47637647	KRM 193-6-1970-647-G0389-HC	28	214	32,0	190	389	228	240	4/5
R47737354	KRM 193-7-1875-354-G0319-HC	23	209	27,5	190	319	228	240	4/4
R47745354	KRM 193-7-2085-354-G0349-HC	21	216	30,4	190	349	228	240	4/4
R47745545	KRM 193-7-2085-545-G0349-HC	21	203	30,4	190	349	228	240	4/4
R47835352	KRM 193-8-1700-352-G0254-HC	20	192	22,5	190	254	228	240	4/2
R47839352	KRM 193-8-1940-352-G0284-HC	20	199	25,5	190	284	228	240	4/2
R47843352	KRM 193-8-2180-352-G0314-HC	19	207	28,7	190	314	228	240	4/2

KRM 223

Part no.	Description	Tipping weight (tons)	Kg.	Ltr.	I (mm)	G (mm)	C (mm)	E (mm)	Cradle/ball
R48743354	KRM 223-7-2100-354-G0335-HC	30	245	41,3	200	335	260	260	4/4
R48746354	KRM 223-7-2310-354-G0365	30	255	45,3	200	365	260	260	4/4
R48747354	KRM 223-7-2310-354-G0365-HC	30	255	45,3	200	365	260	260	4/4
R48838354	KRM 223-8-1945-354-G0286	30	226	34,9	200	286	260	260	4/4
R48844354	KRM 223-8-2195-354-G0316	30	235	39,1	200	316	260	260	4/4
R48845354	KRM 223-8-2195-354-G0316-HC	30	235	39,1	200	316	260	260	4/4
R48846354	KRM 223-8-2435-354-G0346	30	246	43,2	200	346	260	260	4/4
R48847354	KRM 223-8-2435-354-G0346-HC	30	246	43,2	200	346	260	260	4/4
R48949354	KRM 223-9-2465-354-G0315-HC	25	235	39,9	200	315	260	260	4/4
R48957354	KRM 223-9-2735-354-G0345-HC	25	245	44,1	200	345	260	260	4/4

Seal kits for KRM/KRA cylinders

Part no.	Description
754 20 156	Seal kit complete KRM 145 - 6
754 20 165	Seal kit complete KRM 167 - 5
754 20 166	Seal kit complete KRM 167 - 6
754 20 177	Seal kit complete KRM 193 - 7
754 20 188	Seal kit complete KRM 223 - 8
754 20 189	Seal kit complete KRM 223 - 9
754 20 243	Seal kit complete KRA 125 - 3
754 20 253	Seal kit complete KRA 145 - 3
754 20 263	Seal kit complete KRA 167 - 3
754 20 264	Seal kit complete KRA 167 - 6
754 20 275	Seal kit complete KRA 193 - 5

