

3D model is available on request

Specifications

Type	35cc	50cc	65cc	
Part number	14571420	14571415	14571410	
Displacement	34.22	51.33	65.3	cc/rev
Port configuration	2 rear	2 rear	2 rear	
Flange standard	ISO 7653-D	ISO 7653-D	ISO 7653-D	
Shaft DIN-ISO 14	8*32*36	8*32*36	8*32*36	mm
Inlet - straight internal thread	1 1/4"	1 1/4"	1 1/4"	BSP
Outlet - straight internal thread	1 1/4"	1 1/4"	1 1/4"	BSP
Recommended suction hose diameter	1 1/2"	1 1/2"	1 3/4"	inch
Torque at pressure "p2"	160	230	270	Nm
p2 : Max. pressure for tipping application	280	280	250	bar
p3 : Max. continuous pressure	260	260	230	bar
p1 : Max. peak pressure	300	300	255	bar
L : Length of pump	180	191	200	mm
W : Width of pump	136	136	136	mm
H : Height of pump	148.5	148.5	148.5	mm
A : Position of rear port	34	34	34	mm
Mass	11.5	12.6	13.4	kg
Centre of gravity distance (COG)	92.5	98.5	103.4	mm
Max. Torque	330	330	330	Nm
Max. speed at intermittent pressure*	2500	2500	2500	rpm
Min. speed at intermittent pressure	300	300	300	rpm
Oil temperature range	min / max -40 / 80	min / max -40 / 80	min / max -40 / 80	°C
Inlet pressure range (suction side)	min / max 0.7 / 3	min / max 0.7 / 3	min / max 0.7 / 3	bar
Recommended oil viscosity range	min / max 12 / 100	min / max 12 / 100	min / max 12 / 100	mm ² /s
Max. starting viscosity*	1500	1500	1500	mm ² /s
Min. filtration	16	16	16	µm
Recommended oil cleanliness	8-NAS 1638	8-NAS 1638	8-NAS 1638	
Noise level at 1000 rpm and 100 bar	65	65	65	dB
Leak indicator included with the pump	Yes	Yes	Yes	

* 2500 rpm for oil viscosity up to 100 cSt. 1000 rpm for cold start (1500 cSt).

Technical notes

- Recommended oil is mineral based; for other fluids contact our engineering department
- Mentioned filtration is for tipper applications only
- To avoid cavitation, suction hose must be kept as short and straight as possible and oil viscosity should be respected at all operating temperatures
- Painted black (RAL9005)
- Leak indicator kit included and to be fitted with hose opening facing side or down

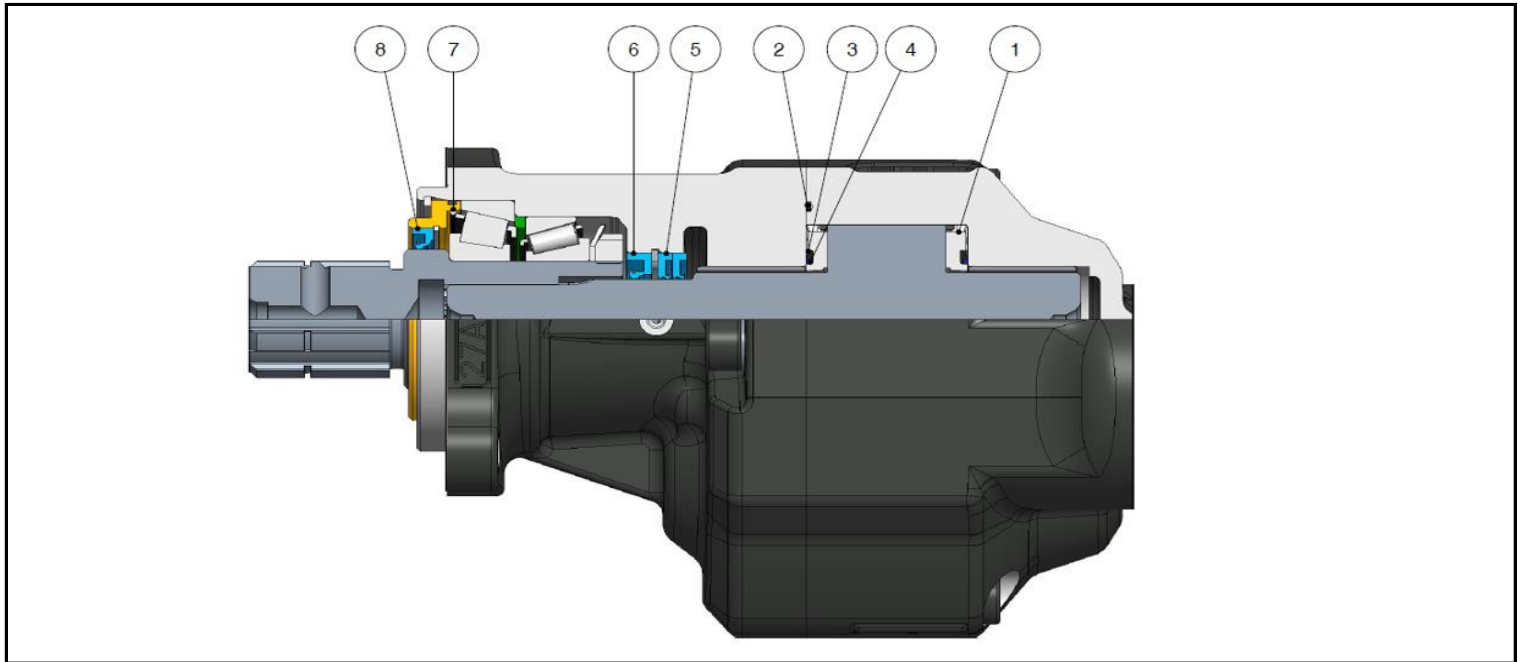
Related documentation

Mounting instructions : PUM-0038

Repair instructions : PUM-0039

Oil specifications: OIL-0011

Spare parts

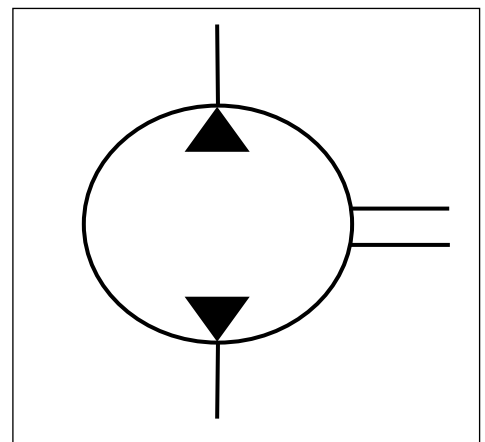


Spare parts

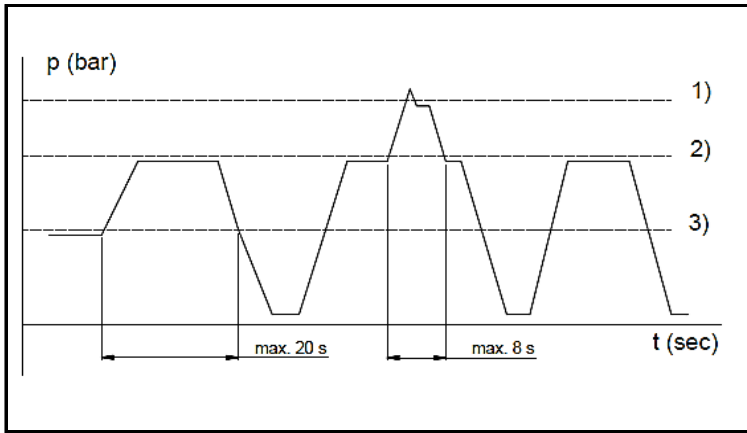
	Type	35cc	50cc	65cc
	Seal kit (pos: 2, 3, 4, 5, 6, 7 & 8)	02460013	02460013	02460013
1	Thrust plate (x2)	02259400	02259400	02259400
2	O-ring	See seal kit	See seal kit	See seal kit
3	Thrust plate seal (x2)	See seal kit	See seal kit	See seal kit
4	Thrust plate back-up ring (x2)	See seal kit	See seal kit	See seal kit
5	Shaft seal (x2)	See seal kit	See seal kit	See seal kit
6	Shaft seal	See seal kit	See seal kit	See seal kit
7	O-ring	See seal kit	See seal kit	See seal kit
8	Shaft seal	See seal kit	See seal kit	See seal kit
9	Leak indicator kit	02470180	02470180	02470180

* Leak indicator included with the pump

Hydraulic symbol pump

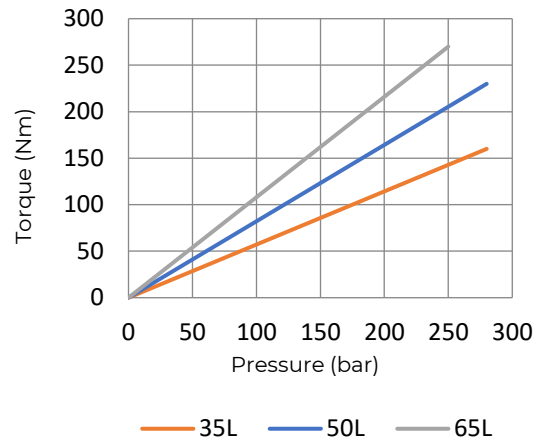


Pressure Definition



- p 1) Peak pressure
- p 2) Intermittent pressure e.g. tipping applications
- p 3) Continuous Pressure

Torque - Pressure characteristics



* PTO output torque must be higher than the torque required by the pump

Mounting options

